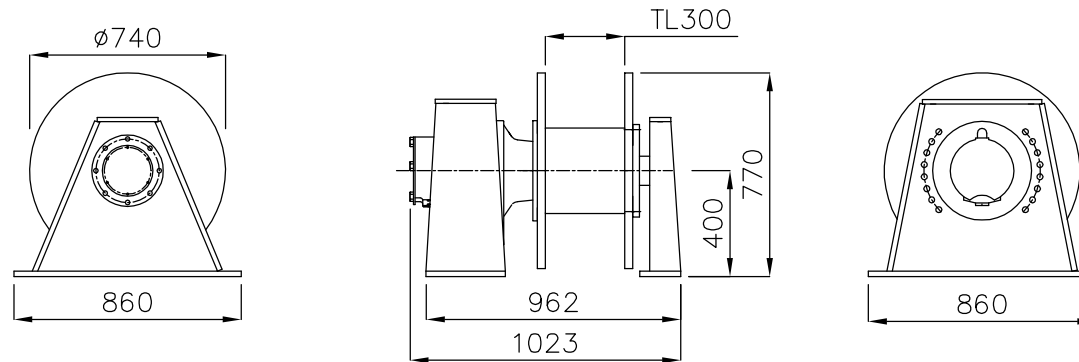


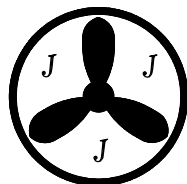
GILSON WINCH

Type T-309



Specifications – Gilson winch type T-309 MS50 Ø740 TL300

| | | | | | |
|-----------------|-------------|---------------|---|--------------|--------------------------------|
| Motor | : Poclairn | Drumdimension | : $\varnothing 740 \times \varnothing 230$ x 300 mm. | Wirecapacity | : $\varnothing 24$ mm – 200 m. |
| Motortype | : MS50, 6 l | Brake | : Hydraulisc brakevalve | | |
| Pull at 250 Bar | : 16,3 ton | Material | : Steel | | |
| | | Surface | : sandblasted, metallized + 2 component paint | | |
| | | | | | |



Thyborøn Skibs & Motor A/S
Tlf. (+45) 96 900 100

Beddingsvej 5
7680 Thyborøn Havn
Fax: (+45) 97831982
E-mail: 3xj@3xj.dk
www.3xj.dk