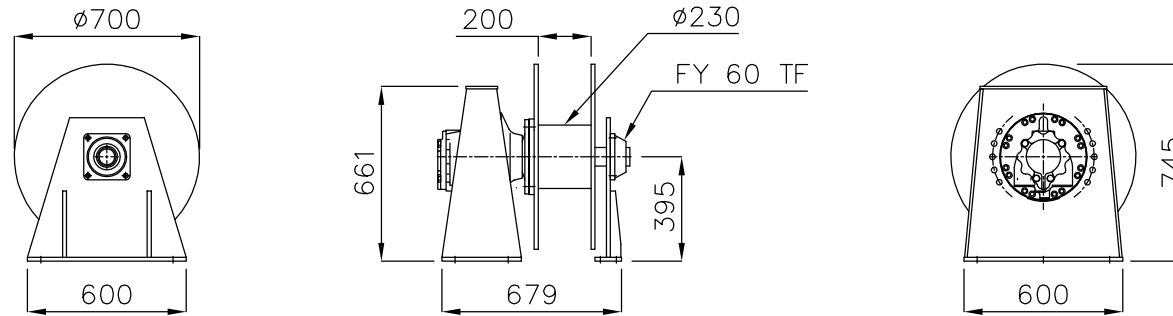


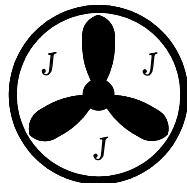
GILSON WINCH

Type T 309 SP



Specifications – Gilson winch type T 309 SP

Motor	: Poclairn	Drumdimension	: $\phi 700 \times \phi 230$ x 200 mm.	Wirecapacity	: $\phi 24$ mm – 120 m.
Motortype	: MS18, 2,099 l	Brake	: Hydraulisc brakevalve		
Pull at 250 Bar	: 8,0 ton	Material	: Steel		
		Surface	: sandblast, metallizing + 2 component paint		



Thyborøn Skibs & Motor A/S
Tlf. (+45) 96 900 100

Beddingsvej 5
 7680 Thyborøn Havn
 Fax: 97 83 19 82
 E-mail: 3xj@3xj.dk
 www.3xj.dk