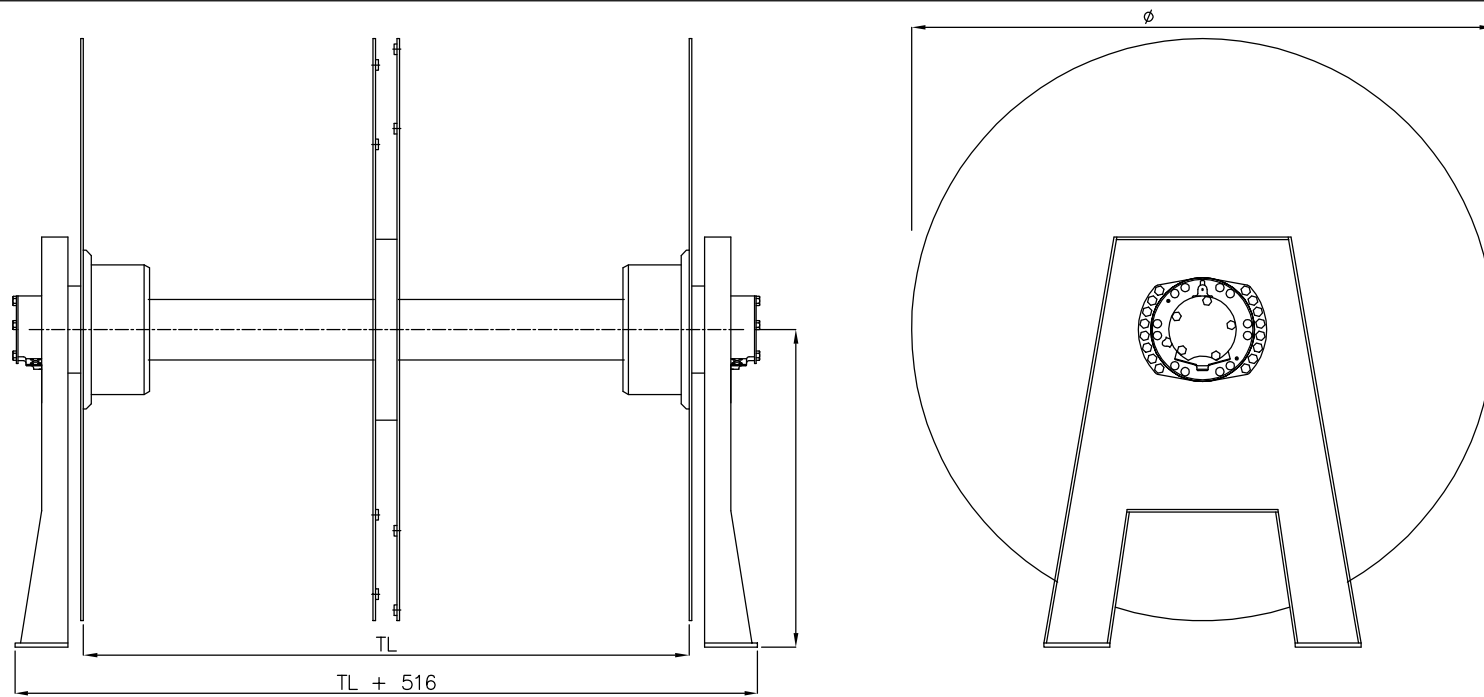


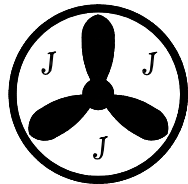
SPLIT NET DRUM

Type SN-109



Specifications – SPLIT NET DRUM SN-109

Motor	: 2 pc. Poclairn	Drumplate	:	Capacity :
Motortype	: MS50	Drumdimension	: ϕ x $\phi 230$ x mm.	$(R^2 \text{ i m} \times 3.14 - 0.08) \times \text{TL i m} = \text{m}^3$
Pull at 230 Bar	: 16 ton	Brake	: Hydraulic brakevalve	Surface : Sandblasted, metallized + 2 component paint



Thyborøn Skibs & Motor A/S
Tlf. (+45) 96 900 100

Beddingsvej 5
 7680 Thyborøn Havn
 Fax: 97 83 19 82
 E-mail: 3xj@3xj.dk
 www.3xj.dk