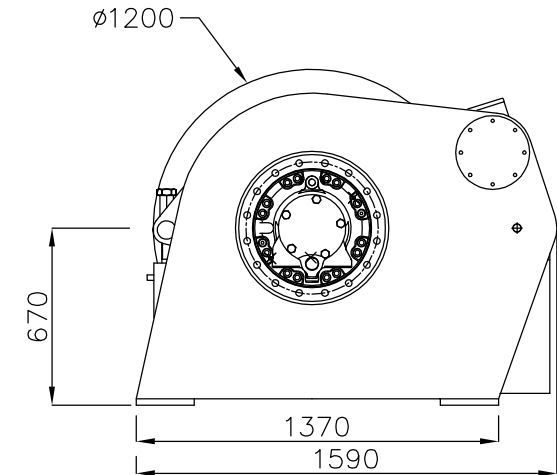
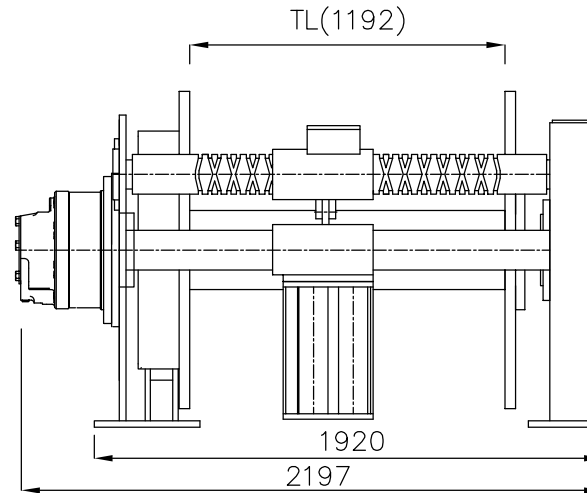
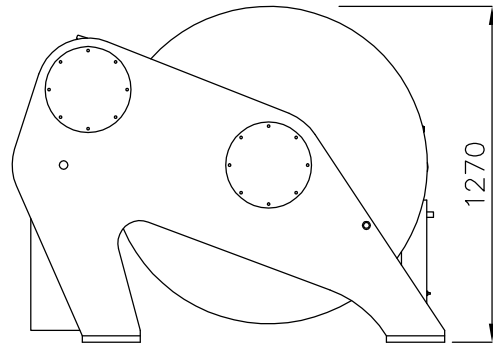


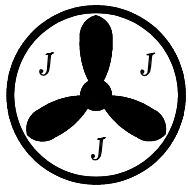
# SPLIT WINCH

Type S-120



Specifications – SPLIT WINCH S-120 MS83 Standard UT

Motor	: Poclairn	(Foundation)	: -	Wire capacity	: $\phi$ 22 mm – 2500 m.
Motortype	: MS83, 10 l	Drumdimension	: $\phi$ 1200 x $\phi$ 300 x 1192 mm.	Wire capacity	: $\phi$ 24 mm – 2140 m.
Pull at. 250 Bar	: 20,8 ton	Brake	: Hydraulic bandbrake	Wire capacity	: $\phi$ 26 mm – 1800 m.
Weight	: 3400 kg	Materials	: Steel		
		Surface	: Sandblasted, metallized + 2 component paint		



*Thyborøn Skibs & Motor A/S*  
*Tlf. (+45) 96 900 100*

Beddingsvej 5  
 7680 Thyborøn Havn  
 Fax: (+45) 97831982  
 E-mail: 3xj@3xj.dk  
 www.3xj.dk