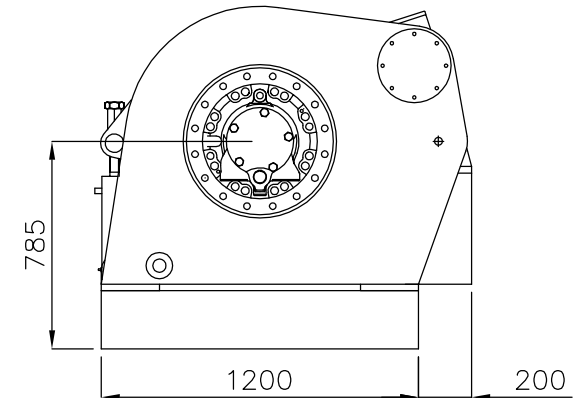
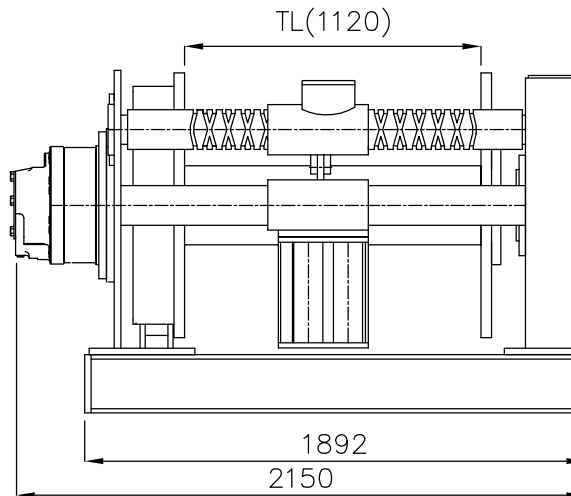
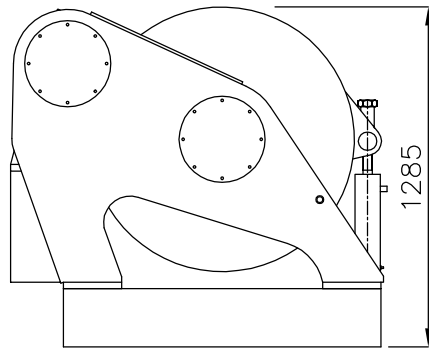


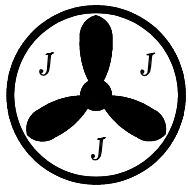
SPLIT WINCH

Type S-110



Specifications – SPLIT WINCH S-110 MS83 Standard UT

Motor	: Poclairn	(Foundation)	: HE 220 B 1920 x 1200	Wire capacity	: ϕ 22 mm – 1530 m.
Motortype	: MS83, 10 l	Drumdimension	: ϕ 1000 x ϕ 300 x 1120 mm.	Wire capacity	: ϕ 24 mm – 1310 m.
Pull at. 250 Bar	: 20,8 ton	Brake	: Hydraulic bandbrake	Wire capacity	: ϕ 26 mm – 1140 m.
Weight	: 2600 kg	Materials	: Steel		
		Surface	: Sandblasted, metallized + 2 component paint		



Thyborøn Skibs & Motor A/S
Tlf. (+45) 96 900 100

Beddingsvej 5
7680 Thyborøn Havn
Fax: +45 97831982
E-mail: 3xj@3xj.dk
www.3xj.dk