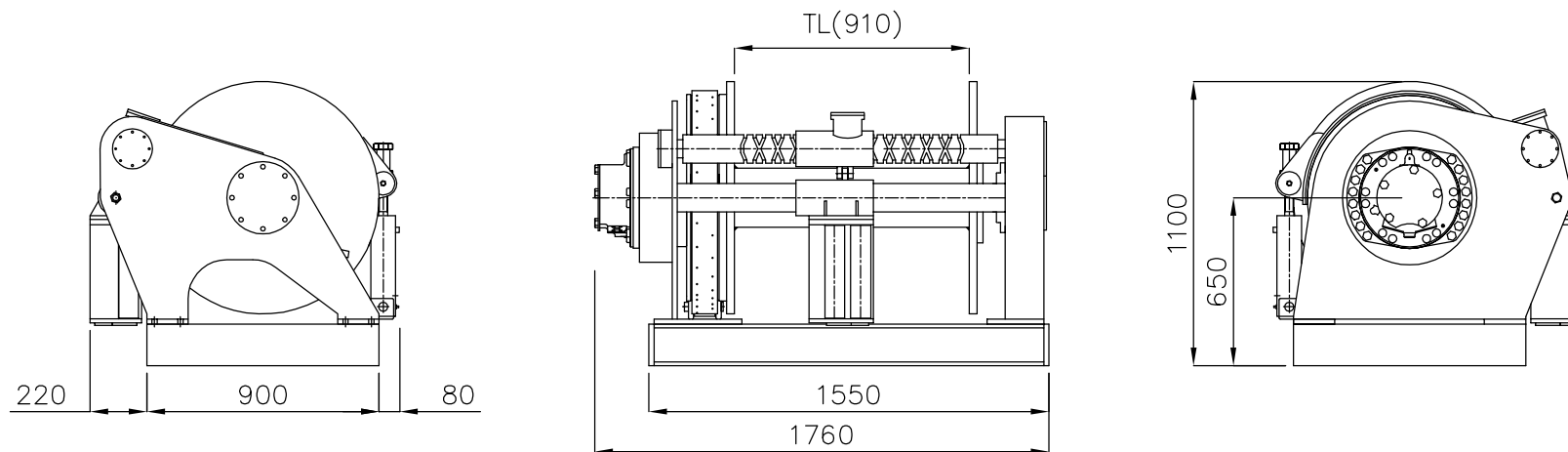


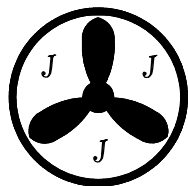
SPLIT WINCH

Type S-90



Specifications – SPLIT WINCH S-90 MS50 Standard UT

Motor	: Poclairn	(Foundation)	: HE 160 B 1550 x 900	Wire capacity	: \varnothing 18 mm – 1640 m.
Motortype	: MS50, 6,0 l	Drumdimension	: \varnothing 900 x \varnothing 229 x 910 mm.	Wire capacity	: \varnothing 20 mm – 1320 m.
Pull at. 250 Bar	: 16,1 ton	Brake	: Hydraulic bandbrake	Wire capacity	: \varnothing 22 mm – 1090 m.
Weight	: 1550 kg	Materials	: Steel	Wire capacity	: \varnothing 24 mm – 940 m.
		Surface	: Sandblasted, metallized + 2 component paint		



Thyborøn Skibs & Motor A/S
Tlf. (+45) 96 900 100

Beddingsvej 5
 7680 Thyborøn Havn
 Fax: (+45) 97831982
 E-mail: 3xj@3xj.dk
 www.3xj.dk