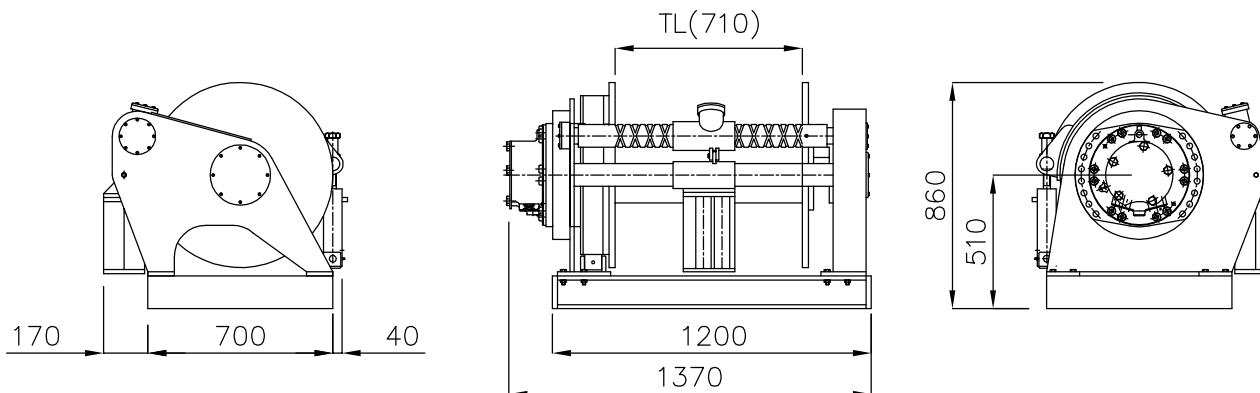


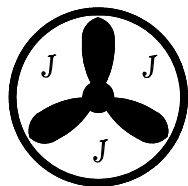
SPLIT WINCH

Type S-70



Specifications – SPLIT WINCH S-70 MS25 Standard UT

Motor	: Poclairn	(Foundation)	: HE 120 B 1200 x 700	Wire capacity	: \varnothing 12 mm – 1670 m.
Motortype	: MS25, 3 l	Drumdimension	: \varnothing 700 x \varnothing 203 x 710 mm.	Wire capacity	: \varnothing 14 mm – 1230 m.
Pull at. 250 Bar	: 9,5 ton	Brake	: Hydraulic bandbrake	Wire capacity	: \varnothing 16 mm – 930 m.
Weight	: 800 kg	Materials	: Steel		
		Surface	: Sandblasted, metallized + 2 component paint		



Thyborøn Skibs & Motor A/S
Tlf. (+45) 96 900 100

Beddingsvej 5
 7680 Thyborøn Havn
 Fax: (+45) 97831982
 E-mail: 3xj@3xj.dk
 www.3xj.dk