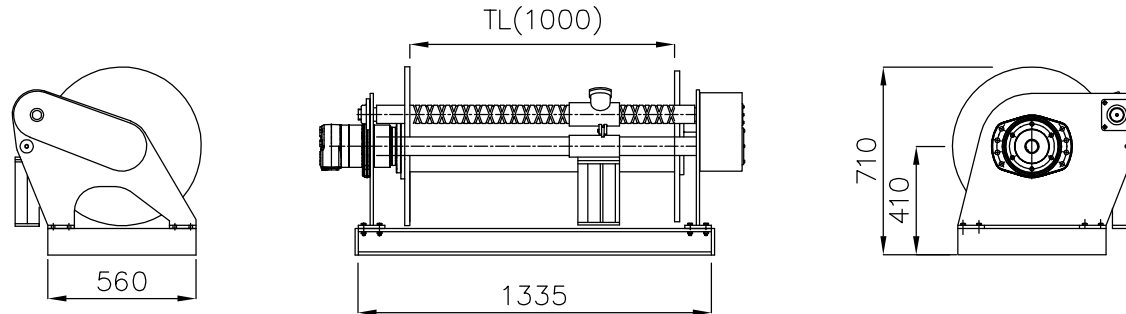


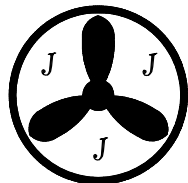
NET SOUNDING WINCH

Type NS-109



Specifications – NET SOUNDING WINCH NS-109

Motor	: Sauer Danfoss	Foundation	: HE 100 B 1405 x 560	Wirecapacity	: ø 12,2 1200 m
Motortype	: TMVW, 0,615 l	Drumdimension	: ø600 x ø194 x 1000		
Pull at 230 Bar	: 2 ton	Brake	:		
Weight	: 515 kg	Materials	: Steel		
		Surface	Sandblasted, metallized + 2 componet paint		



Thyborøn Skibs & Motor A/S
Tlf. (+45) 96 900 100

Beddingsvej 5
7680 Thyborøn Havn
Fax: 97 83 19 82
E-mail: 3xj@3xj.dk
www.3xj.dk