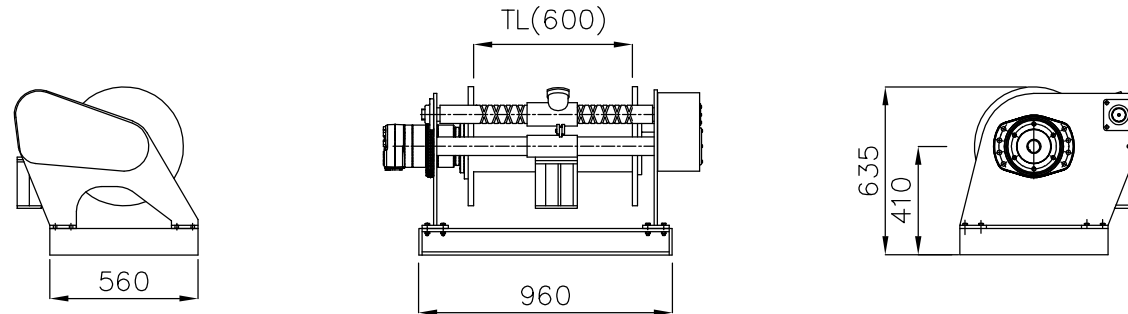


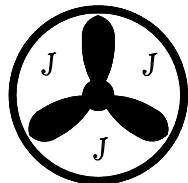
# NET SOUNDING WINCH

*Type NS-109*



## Specifications – NET SOUNDING WINCH NS-109

Motor	: Sauer Danfoss	Foundation	: HE 100 B 960 x 560	Wirecapacity	: ø 8    1100 m
Motortype	: TMVW, 0,615 l	Drumdimension	: ø450 x ø194 x 600		
Pull at 230 Bar	: 2 ton	Brake	:		
Weight	:	Materials	: Steel		
		Surface	Sandblasted, metallized + 2 componet paint		



*Thyborøn Skibs & Motor A/S*  
*Tlf. (+45) 96 900 100*

Beddingsvej 5  
7680 Thyborøn Havn  
Fax: 97 83 19 82  
E-mail: 3xj@3xj.dk  
www.3xj.dk