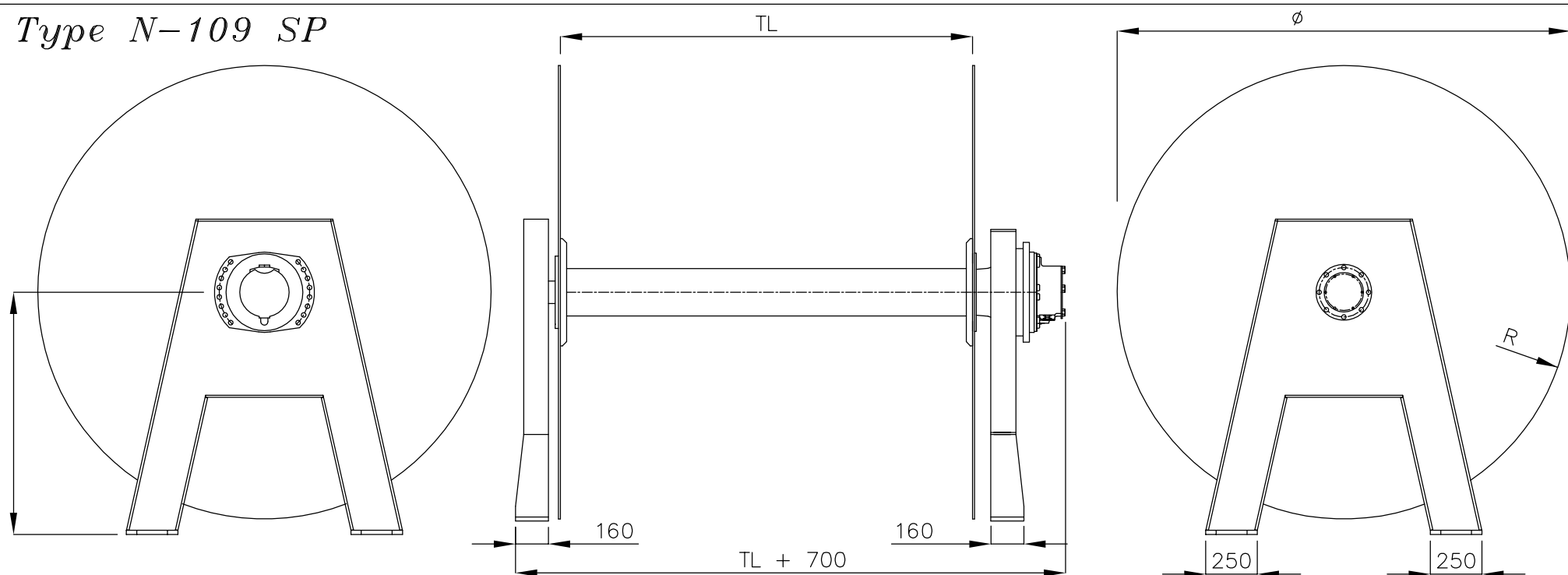


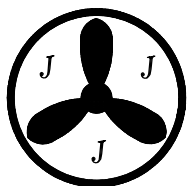
# NET DRUM

Type N-109 SP



Specifications – NET DRUM N-109-02 MS35 Standard

Motor	: Poclair	Drumplate	: 10 mm veldox 700	Capacity :
Motortype	: MS35, 4,2 l	Drumdimension	: $\phi$ x $\phi 229$ x mm.	$(R^2 \text{ in m} \times 3.14 - 0.06) \times \text{TL in m} = \text{m}^3$
Pull at 250 Bar	: 11,3 tons	Brake	: Hydraulic brakevalve	Surface Sandblasted, metallized + 2 componet paint



*Thyborøn Skibs & Motor A/S*  
Tlf. (+45) 96 900 100

Beddingsvej 5  
7680 Thyborøn Havn  
Fax: (+45) 97831982  
E-mail: 3xj@3xj.dk  
www.3xj.dk