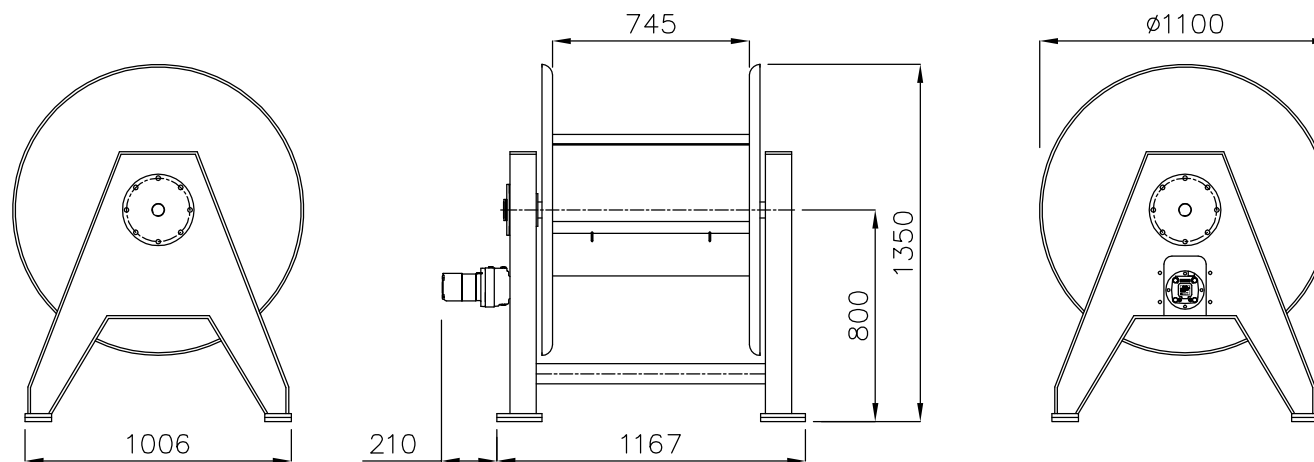


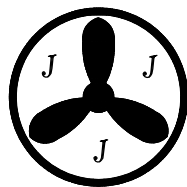
HOSE REEL

Type HST 1½"



SPECIFICATIONS – Hosereel winch HST 1½"

| | | | | | |
|-----------|---------------------|---------------|--|----------|---------------------|
| Motor | : Danfoss | Drumdimension | : Ø1100 x Ø500 x 745 mm. | Capacity | : 2 x 60 m 1½" hose |
| Motortype | : OMSS 315 w/ brake | Material | : Steel | | |
| | | Surface | : Sandblasted, metallized + 2 component paint | | |
| | | | | | |



Thyborøn Skibs & Motor A/S
Tlf. (+45) 96 900 100

Beddingsvej 5
 7680 Thyborøn Havn
 Fax: (+45) 97831982
 E-mail: 3xj@3xj.dk
 www.3xj.dk