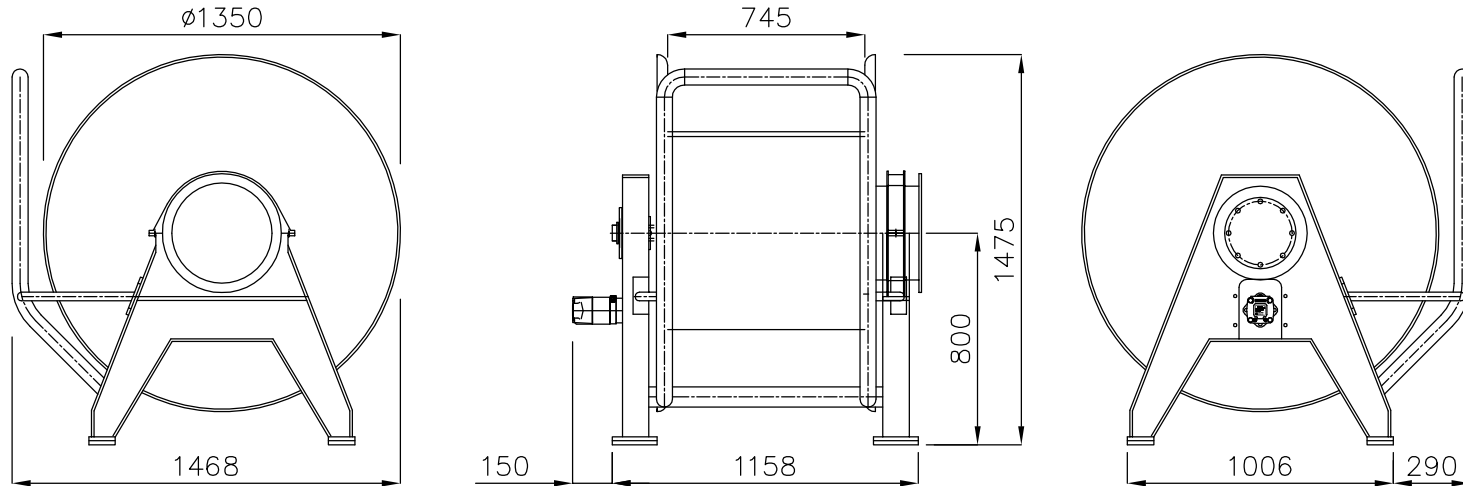


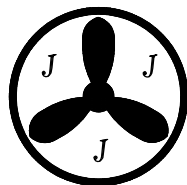
14'' FISHPUMP HOSE REEL

Type ST 350



SPECIFICATIONS – 14'' Fishpump hose reel ST 350

Motor	: Danfoss	Drumdimension	: $\varnothing 1350 \times \varnothing 730$ x 745 mm.	Capacity	: 14'' – 60 m.
Motortype	: OMS 400	Material	: Steel		
		Surface	: Sandblasted, metallized + 2 component paint		



Thyborøn Skibs & Motor A/S
Tlf. (+45) 96 900 100

Beddingsvej 5
7680 Thyborøn Havn
Fax: (+45) 97831982
E-mail: 3xj@3xj.dk
www.3xj.dk