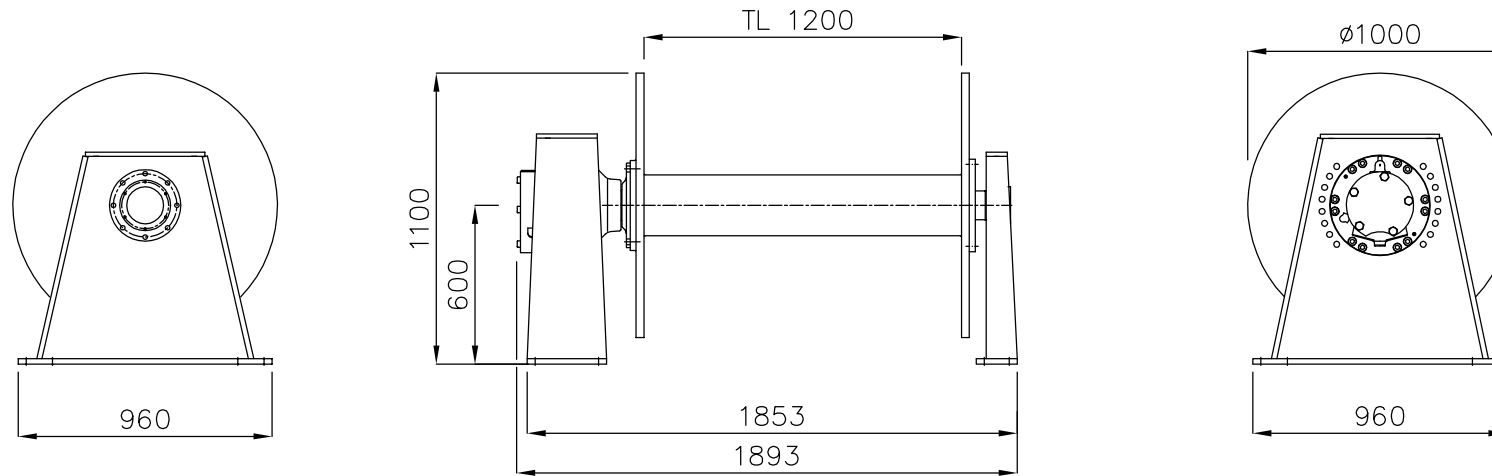


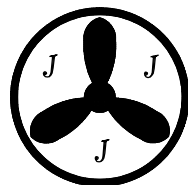
# HEAD/MID LINE WINCH

Type F-209



Specifications – Head / Mid line winch F-209 MS35 Ø1000 TL1200

Motor	: Poclairn	Drumdimension	: Ø1000 x Ø230 x 1200 mm.	Capacity	: Ø 40 mm – 550 m.
Motortype	: MS35, 4,2 l	Brake	: Hydraulic brakevalve	Capacity	: Ø 60 mm – 240 m.
Pull at 230 Bar	: 11,3 tons	Material	: Steel		
		Surface	: Sandblasted, metallized + 2 component paint		



*Thyborøn Skibs & Motor A/S*  
Tlf. (+45) 96 900 100

Beddingsvej 5  
7680 Thyborøn Havn  
Fax: (+45) 97831982  
E-mail: 3xj@3xj.dk  
www.3xj.dk