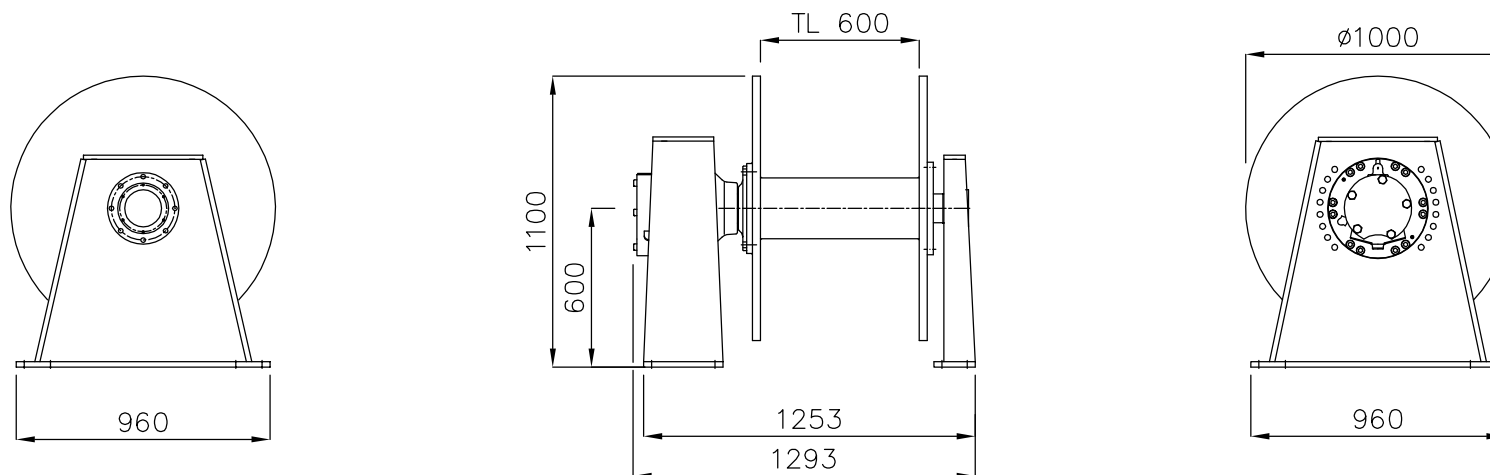


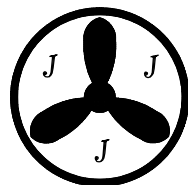
# HEAD/MID LINE WINCH

Type F-209



Specifications – Head / Mid line winch F-209 MS35  $\varnothing 1000$  TL600

Motor	: Poclairn	Drumdimension	: $\varnothing 1000 \times \varnothing 230$ x 600 mm.	Capacity	: $\varnothing 40$ mm – 275 m.
Motortype	: MS35, 4,2 l	Brake	: Hydraulic brakevalve	Capacity	: $\varnothing 60$ mm – 120 m.
Pull at 250 Bar	: 11,3 tons	Material	: Steel		
		Surface	: Sandblasted, metallized + 2 component paint		



*Thyborøn Skibs & Motor A/S*  
Tlf. (+45) 96 900 100

Beddingsvej 5  
7680 Thyborøn Havn  
Fax: (+45) 97831982  
E-mail: 3xj@3xj.dk  
www.3xj.dk